

CLICKMATE™ TW157

Quick connector

for filling air storage cylinders up to 6,000 psi (CGA 346 / CGA 347)

US Patent No. 5,575,510



General

DESCRIPTION



Features

- Connection directly to the standard thread of the cylinder valve (CGA 346/347)
- Quick connections in seconds without hand / wrench tightening
- Filling of air storage cylinders up to 6,000 psi (CGA 346/CGA 347)
- Improving operational safety and ergonomics
- Available with / without bleeding valve

CLICKMATE™ TW157 is designed for filling air storage cylinders. Existing filling systems equipped with wrench-tight nuts and connectors can be converted without problems. **CLICKMATE™ TW157** is rated for pressure ranges up to 6,000 psi. The WEH connector provides a connection in seconds to the CGA thread of the cylinder valve without hand / wrench tightening. Just place the connector onto the cylinder valve until it stops. The connection is made by lowering the operating lever through 90° which locks the split jaws onto the cylinder valve. The integrated safety peg prevents a disconnection under pressure.

Optionally **CLICKMATE™ TW157** is available with an integrated bleeding valve.

The standard version has an operating lever for actuation, an operating handle is available on request.

All connectors are subjected to extensive pressure and long-term tests (100,000 cycles).

Application

Filling of air storage cylinders in breathing air centers of fire brigades.



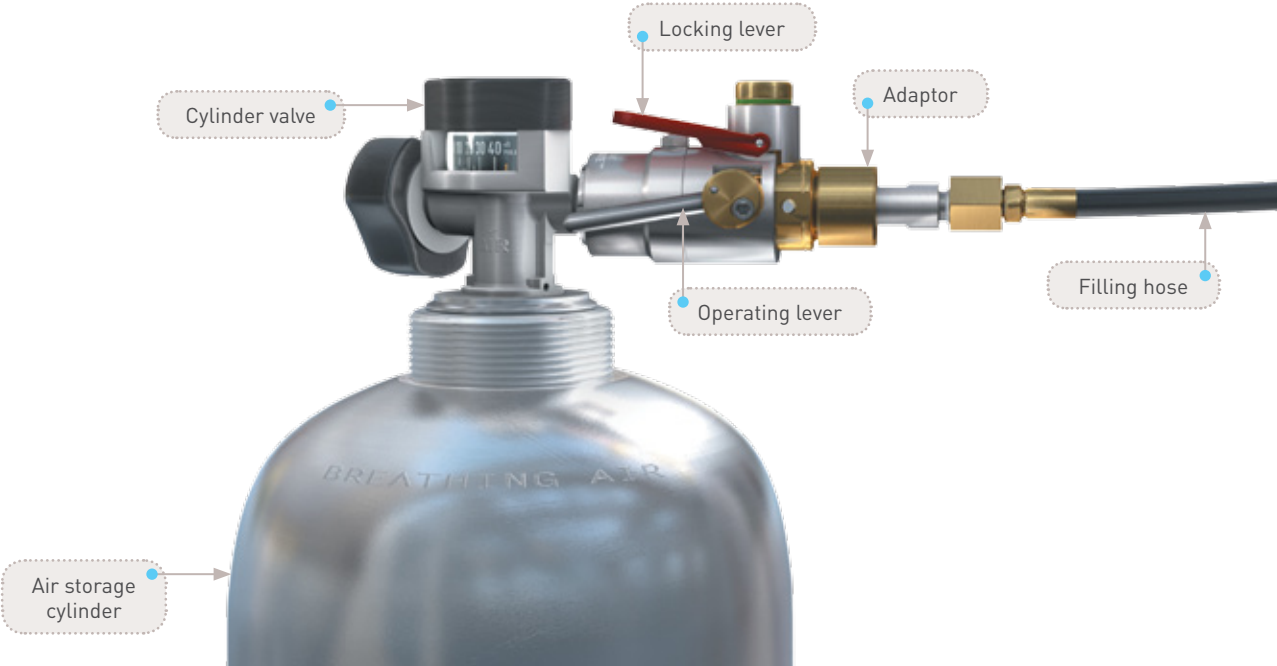
CLICKMATE™ TW157 with operating lever and bleeding valve

TECHNICAL DATA

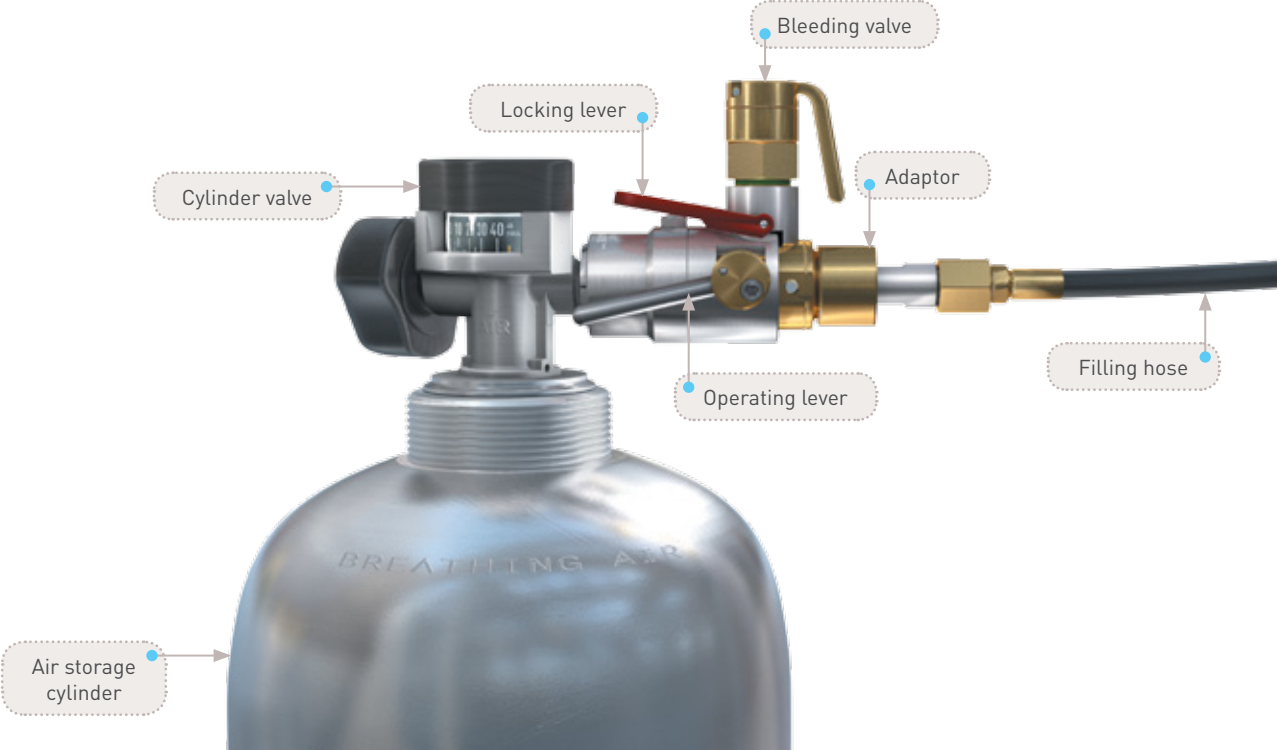
Characteristics	Basic version	Options
Nominal pressure PS	Up to 6,000 psi	On request
Temperature range	+41 °F up to +158 °F (+5 °C up to +70 °C)	On request
Medium	Respiratory air (compressed air)	On request
Cylinder thread size A	Standard connection for CGA 346 (0.825" -14 NGO-RH-EXT large round nipple) CGA 347 (0.825" -14 NGO-RH-EXT long round nipple)	On request
Inlet B	NS 1" -14 external thread	On request
Actuation	Operating lever	Operating handle, others on request.
Material	Brass and corrosion-resistant stainless steel	On request
Sealing material	FKM	On request
Design	Without integrated bleeding valve	With integrated bleeding valve
Function tested	100,000 cycles	On request

General

SYSTEM OVERVIEW | CLICKMATE™ TW157 with operating lever

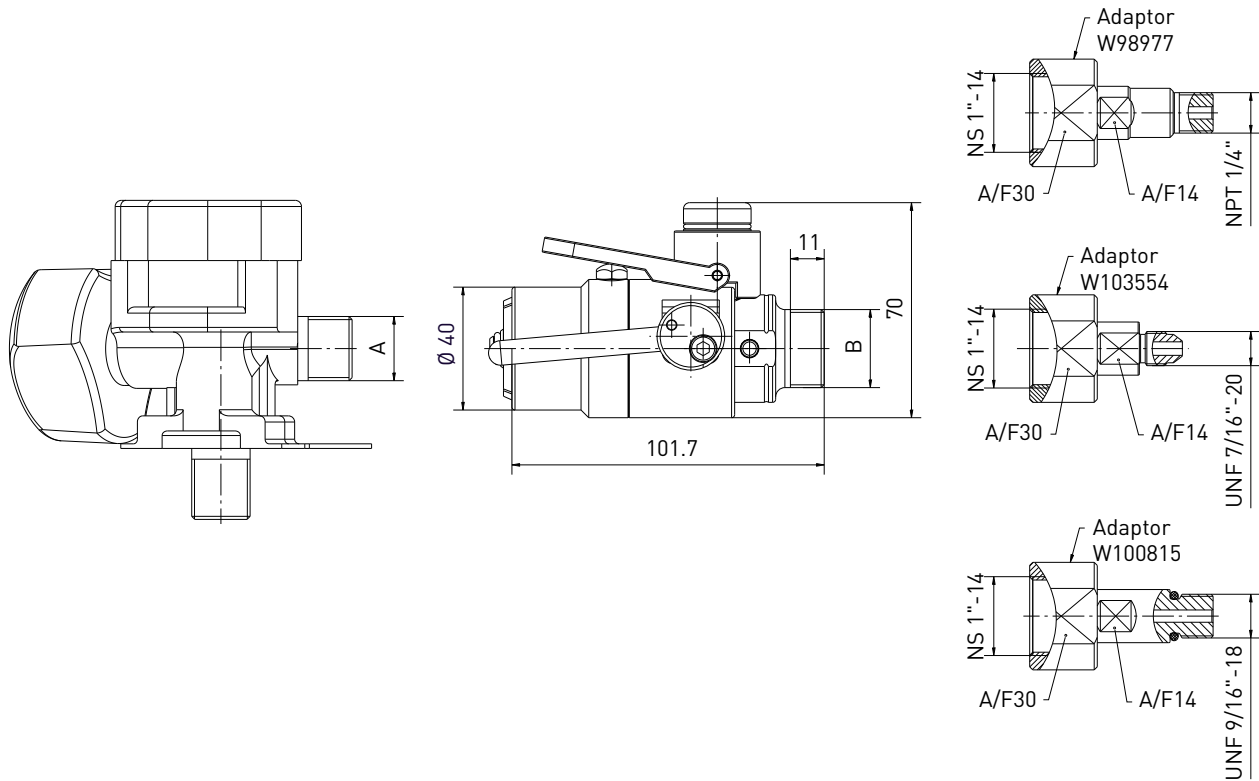


SYSTEM OVERVIEW | CLICKMATE™ TW157 with operating lever and bleeding valve



Ordering

ORDERING



Quick Connector CLICKMATE™ TW157 with operating lever



Part No.	Description	Connection A	Inlet B
C1-102859	CLICKMATE™ TW157 without bleeding valve	0.825"-14 NGO-RH external thread	NS 1"-14 external thread

Quick Connector CLICKMATE™ TW157 with operating lever and bleeding valve



Part No.	Description	Connection A	Inlet B
C1-103581	CLICKMATE™ TW157 with bleeding valve	0.825"-14 NGO-RH external thread	NS 1"-14 external thread

Ordering

Quick Connector **CLICKMATE™ TW157** with operating handle



Part No.	Description	Connection A	Inlet B
C1-98975	CLICKMATE™ TW157 without bleeding valve	0.825" -14 NGO-RH external thread	NS 1"-14 external thread

Quick Connector **CLICKMATE™ TW157** with operating handle and bleeding valve



Part No.	Description	Connection A	Inlet B
C1-103580	CLICKMATE™ TW157 with bleeding valve	0.825" -14 NGO-RH external thread	NS 1"-14 external thread

ACCESSORIES

The following accessories are available for **CLICKMATE™ TW157**:

Adaptor incl. locking nut

Adaptor for **CLICKMATE™ TW157** for connection to the filling hose.



Part No.	Description	Connection
W98977	For connection to the filling hose	NPT1/4" external thread O-ring plane sealing
W100815	For connection to the filling hose	UNF9/16" -18 external thread O-ring plane sealing
W103554	For connection to the filling hose	UNF 7/16" -20 external thread (37°)

Others on request

Seal sets

Part No.	Description
W103582	Seal set (10 x spare front seal)
W5606	Seal set for safety peg

Other products

OTHER PRODUCTS

WEH offers a wide range of products.

Further information on our homepage
www.weh.com

» Contacting

For queries and further information, please do not hesitate to contact us.

Manufacturer:

WEH GmbH Gas Technology

Josef-Henle-Str. 1
89257 Illertissen / Germany

Phone: +49 7303 95190-0
Fax: +49 7303 95190-9999

eMail: ngvsales@weh.com
www.weh.com



Distributor US:

WEH Technologies Inc.

24903 Laguna Edge Drive
Katy, TX 77494 / USA

Phone: +1 832 331 0021
Fax: +1 281 712 2664

eMail: sales@weh.us
www.weh.us

© All rights reserved, WEH GmbH 2013. Any unauthorized use is strictly forbidden. Subject to alteration. No liability will be assumed for any content. Herewith previous versions are no longer valid.